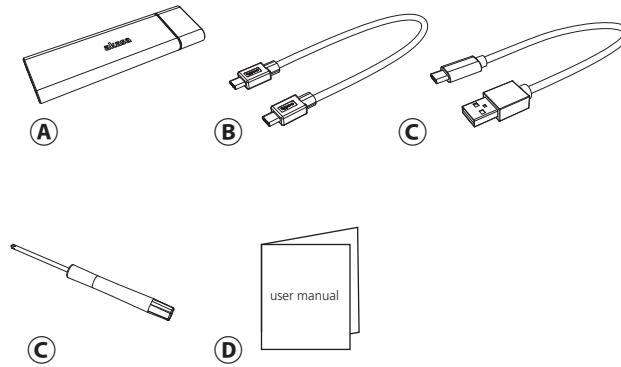


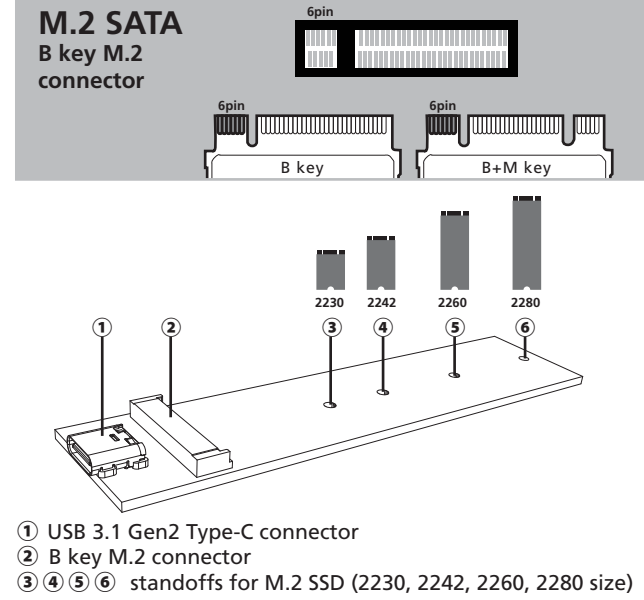
USB 3.1 Gen2 aluminium enclosure for M.2 (NGFF) SSD

USER Manual
Product Code: AK-ENU3M2-02

Contents



Layout



- ① USB 3.1 Gen2 Type-C connector
- ② B key M.2 connector
- ③ ④ ⑤ ⑥ standoffs for M.2 SSD (2230, 2242, 2260, 2280 size)

Installation

