

**COMING SOON**

RASPBERRY PI FANLESS CASE SOLUTIONS

# Fermi CM5

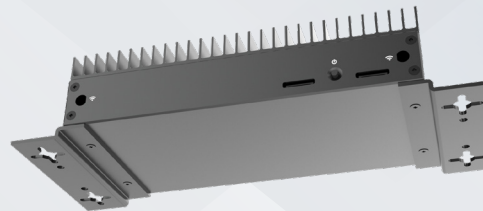
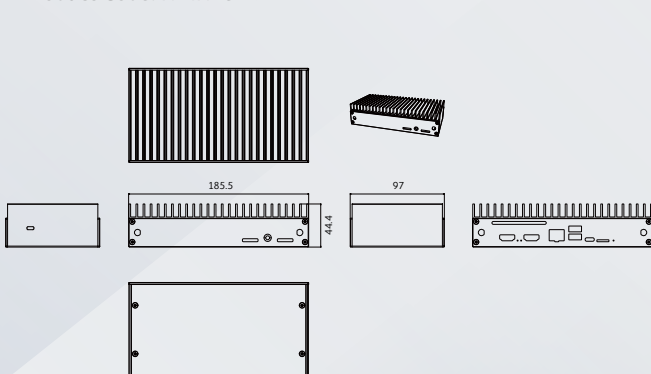
1U Fanless Case for Raspberry Pi Compute Module 5 IO Board



## *Silent, compact and built for continuous operation*

- Passive fanless aluminium case for the Raspberry Pi Compute Module 5 and CM5 IO Board, supporting up to 10W TDP
- Slim 1U chassis design
- Full CM5 IO Board interface access including dual HDMI 2.0 (4K), dual USB 3.0, USB-C power, Gigabit Ethernet, MIPI CSI/DSI and microSD (CM5Lite)
- Internal clearance for M.2 NVMe SSD, 40-pin Raspberry Pi HAT and CSI / DSI camera and display
- Ideal for industrial, commercial and embedded long-life applications
- Dimensions: 185.5 x 97 x 44.4 mm (W x D x H)

Product Code: A-RA18-M1B



Wall mounting brackets included

Optional 1U 10-inch rackmount front panel available



## Applications:

Digital Signage

Automation

Edge AI & IoT

PoS & Kiosk

Smart Retail

UK and Europe  
+44 (0)20 8578 0055

sales@akasa.co.uk  
www.akasa.co.uk

Brasil  
+55 11 3277 4040

comercial@akasa.com.br  
www.akasa.com.br

Asia Pacific and USA  
+886 (0) 2 2999 6289

sales@akasa.com.tw  
www.akasa.com.tw