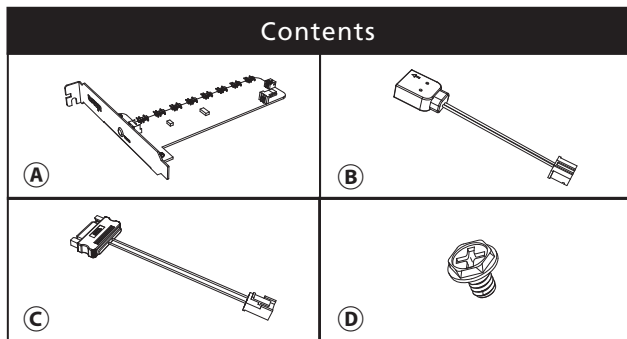


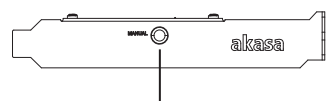
## User Manual

Product Code: AK-RLD-04

### Contents



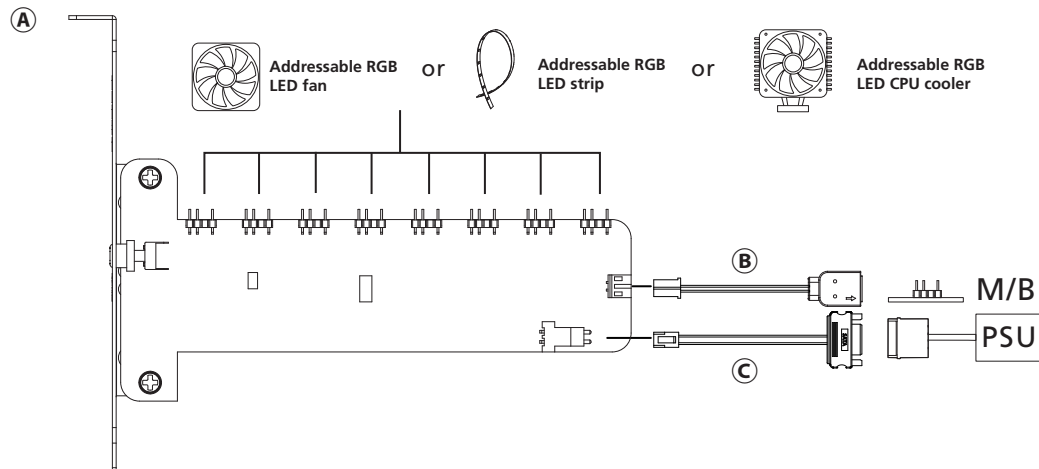
### Panel



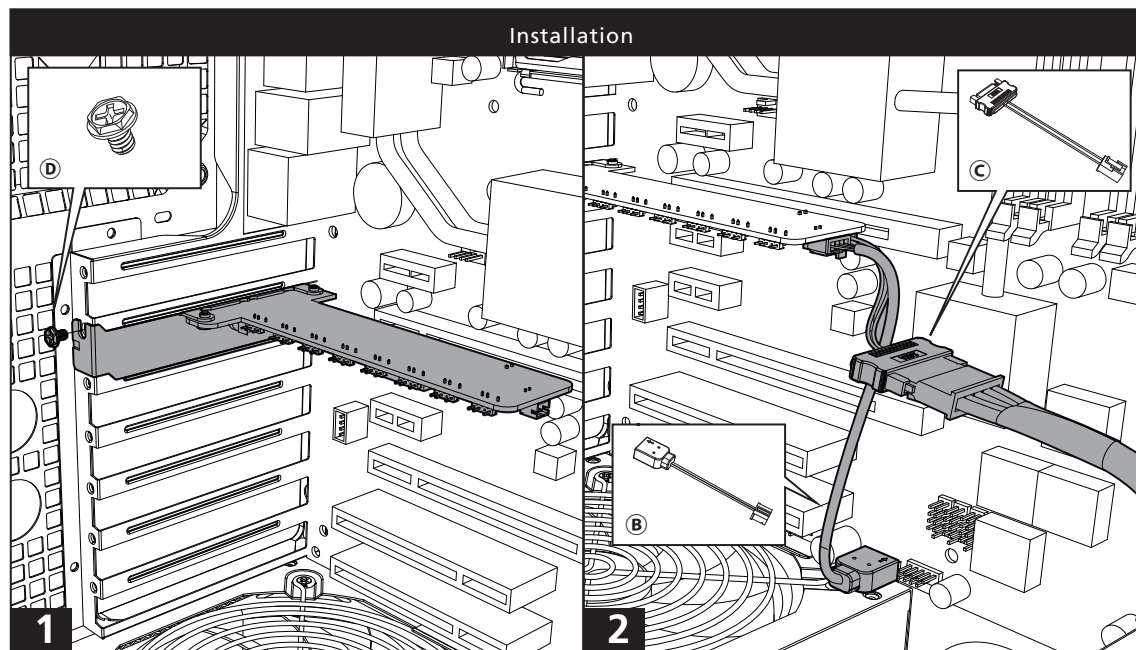
Function button:  
(Tap to change colour mode, press and hold 3 seconds to sync with MB)

- Manual functional modes:
- Constant (Single colour)
  - Wave (Seven-colour cycle)
  - Running (Single colour)
  - Running (Seven-colour cycle)
  - Two-Colour Running
  - Two-Colour Running Cycle
  - Red Wave Breathing
  - Green Wave Breathing
  - Blue Wave Breathing
  - White Wave Breathing
  - Seven-Colour Wave Breathing (White/Purple/Cyan/Yellow/Blue/Green/Red)
  - Breathing (Single colour)
  - Breathing (Seven-colour cycle)
  - Six-Colour Wave Breathing (Red/Purple/Blue/Cyan/Green/Yellow)
  - Gradient
  - Rainbow
  - Seven-Colour Wave Breathing (Red/Green/Blue/Yellow/Cyan/Purple/White)
  - Ripple (Single colour)

### Card Layout



### Installation



**GB**  
**NOTE:** If the connectors are not apparent on the board consult your motherboard manual. Connecting the panel to the wrong headers may result in motherboard damage.

**FR**  
**REMARQUE:** Si les connecteurs ne sont pas apparents sur la carte, consultez le manuel de votre carte mère. Si vous connectez le panneau aux mauvaises embases cela risque d'endommager la carte mère.

**D**  
**HINWEIS:** Wenn die Anschlüsse auf dem Motherboard nicht ersichtlich sind, schauen Sie bitte in ihren Motherboard-Handbuch nach. Ein Anschluss des Panels an die falschen Anschlüsse kann dazu führen, dass das Motherboard beschädigt wird.

**ES**  
**NOTA:** Si los conectores no aparecen en la placa, consulte el manual de la placa base la conexión del panel en los cabezales equivocados podría dañar la placa base.

**PT**  
**NOTA:** No caso das entradas não estarem marcadas na placa-mãe, consulte o manual da mesma. Conectar os cabos numa entrada errada, pode danificar a placa-mãe.

**JP**  
**注:**間違ってもマザーボードに接続するとマザーボードに損傷を与える恐れがあります。必ず、ご使用になるマザーボードのマニュアルをご確認ください。

**CN**  
**注意:** 如果在主板上没看到相对应的端子,请参考主板之使用说明。如果线材接错,有可能造成主板损坏。